

FlowCon By-Pass Unit

3 Way By-Pass Unit - 4 Union End Connections



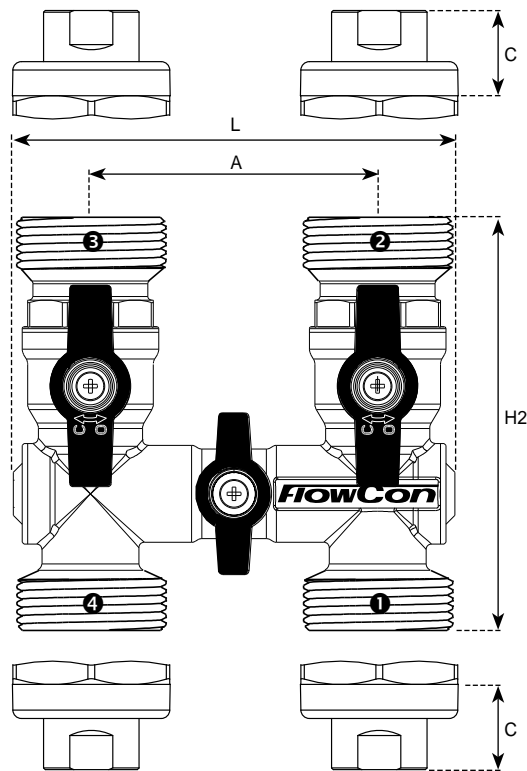
SPECIFICATIONS

Pressure rating:	145 psi / 1000 kPa
Temperature rating, media:	-4°F to +248°F / -20°C to +120°C
Material:	
- Body:	Forged brass ASTM CuZn40Pb2
- Ball valves:	Chemically nickel plated brass balls
- Union end connections:	Brass alloy ISO
- O-rings:	EPDM (70 shore)
End connections:	1/2" / 3/4" / 1" male NPT 1/2" / 3/4" female NPT 1/2" / 3/4" / 1" sweat

DIMENSIONS AND WEIGHTS (NOMINAL) (measured in inches unless noted)

Model no.	Size ("")	L	H2	A	End connections C ¹			Weight (lbs.) (w/o end conn.)	
					Size	NPT female	NPT male		Sweat
F3890.4.M.X.X.X.X.N.X	-	4.86	4.52	3.16	1/2"	0.88	1.00	0.88	2.65
					3/4"	0.88	1.00	1.13	2.65
					1"	N/A	1.32	1.25	2.65

Note 1: Add end connection length to body length.



MODEL NUMBER SELECTION

F3890 . 4 . M N .

Insert by-pass size, fixed end: _____
 4=four union ends connection

Insert connection type, fixed end: _____
 M=male

Insert connection size and type, union end:

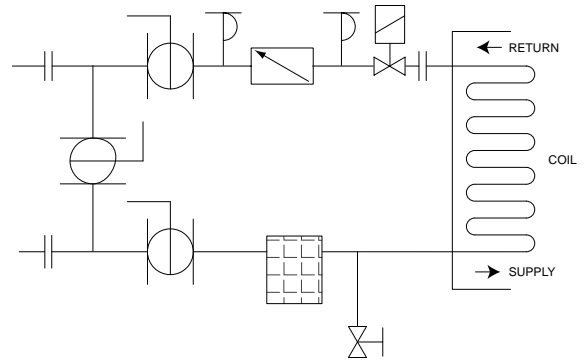
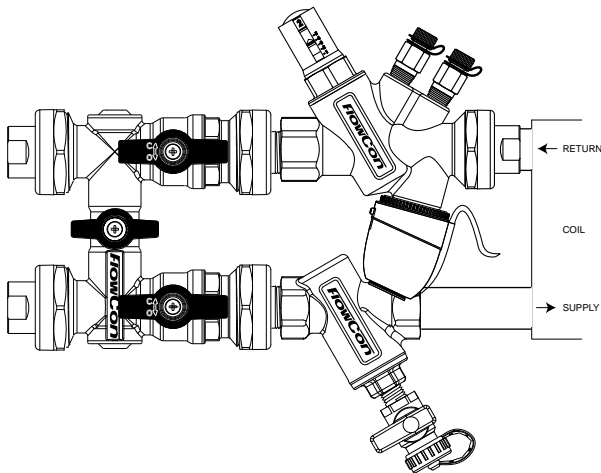
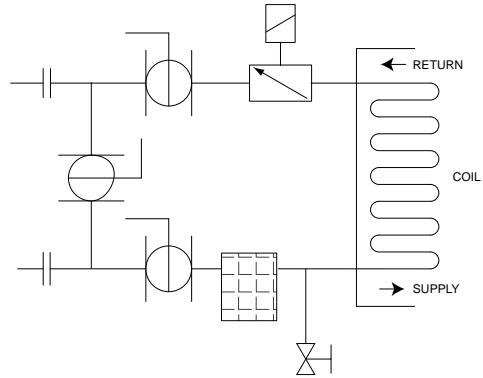
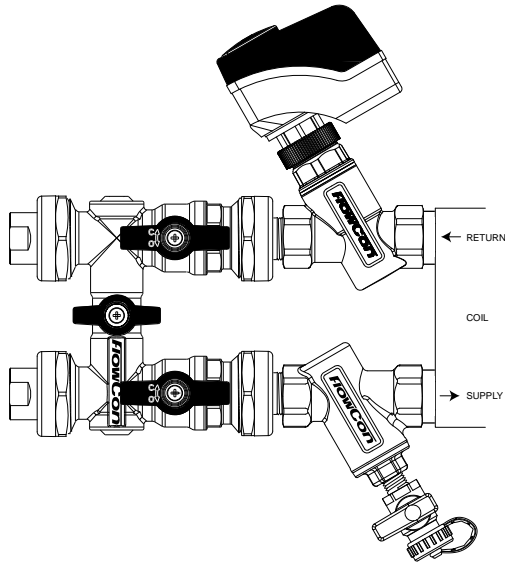
Body size	Female threaded	Male treaded	Sweat
Union end 15-25mm, 1/2"-1"	E=15mm=1/2" F=20mm=3/4"	H=15mm=1/2" I=20mm=3/4" J=25mm=1"	O=1/2" R=3/4" U=1"

Insert connection standard: _____
 N=NPT

0=not assembled
 1=assembled
 2=assembled and pressure tested

Example: F3890.4.M.H.H.H.H.N.0=By-pass unit, union ends 1/2" NPT male, not assembled.

APPLICATION EXAMPLE



UPDATES

For latest updates please see www.flowcon.com

FlowCon International A/S can accept no responsibility for possible errors in any printed material. All rights reserved.